



Rolta Power Pvt.Ltd

Solar Photovoltaic Crystalline Module

- POSITIVE TOLERANCE**
Better output due to positive power tolerance of upto 3%.
- CELL & MODULE MATCHING**
Matching gives upto 2% additional power gain at STC conditions.
- ARC GLASS**
Low iron, anti reflective coated glass gives energy gain upto 2.5%
- 100% ELECTROLUMISCENCE**
Inline EL screening provides defect free modules.
- TRIPLE BUSBAR**
Ensures longevity and better power output.
- DEGRADATION RESISTANCE (PID)**
Superior resistance to potential induces degradation.



RPL-250/255/260

Key Points

- Frame with unique twist resistance design having proper water drainage.
- Assurance of standard warranty as modules are with TUV quality standards and are IEC certified.
 - IEC 61215 (quality & design),
 - IEC 61730 (safety class I & II),
 - IEC 61701 (salt mist corrosion, severity-6).
- Certified to withstand snow loads of upto 5,400 Pa.
- Accepted for solar project subsidy as modules are MNRE certified.
- IP67 junction box for long term water and dust resistance.
- Eco friendly packing with high quality and high density ISPM15 free packing.
- ISO 14001* conscious towards reducing environmental impact.

Certification



Warranty

- Product Warranty:** 10 year warranty on material and workmanship
- Power Warranty:** 25 year linear power output warranty

TECHNICAL SPECIFICATION

ELECTRICAL DATA | STC

Electrical characteristics	250 Wp	255 Wp	260 Wp
Nominal Maximum Power (Pmax)	250 W	255 W	260 W
Optimum Operating Voltage (Vmp)	30.50 V	30.37 V	30.48 V
Optimum Operating Current (Imp)	8.20 A	8.40 A	8.53 A
Open Circuit Voltage (Voc)	36.50 V	37.63 V	37.91 V
Short Circuit Current (Isc)	8.80 A	9.02 A	9.08 A
Module Efficiency %	15.53%	15.84%	16.15%
Operating Temperature	-40 °C to +85 °C		
Maximum System Voltage	1000 V		
Maximum Series Fuse Rating	15 Amps		
Application Classification	Class A		
Power Tolerance	+ 3%		

Under Standard Test Conditions (STC) of irradiance of 1000W/m², spectrum AM 1.5 and cell temperature of 25°C.

NOCT 45 °C ± 2 °C

MODULE | MECHANICAL DATA

Specification	Data
Cell Type	Poly crystalline - 6 Inch
Cell Arrangement	60 Cells (10 x 6)
Dimensions (mm)	1639 X 982 X 42
Weight (Kg)	18.4
Front Cover	3.2 mm Toughened Textured Glass
Frame Material	Anodized aluminium alloy
Junction BOX	IP67, 3 diodes
Cable	4mm ² (IEC)/4mm ² & 12 AWG 1000 V(UL1000V)/
Connectors	MC 4 Or MC 4 Compliant

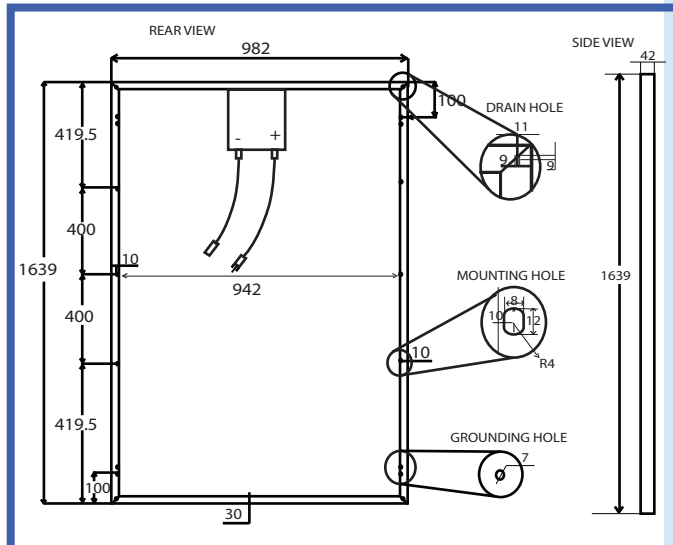
TEMPERATURE CHARACTERISTICS

Specification	
Temperature coefficient (Pmax)	(-) 0.42 % K
Temperature Coefficient (Voc)	(-) 0.35 % K
Temperature Coefficient (Isc)	(+) 0.06 % K

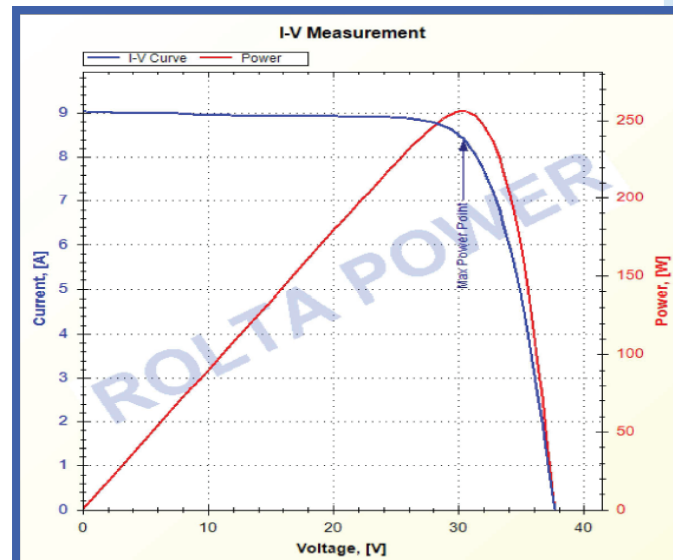
ROLTA MODULE | RPL-250/255/260



MODULE | ENGINEERING DRAWING



I-V CURVES



DEALER AND DISTRIBUTOR